



METAL AND WOOD BUMPER RAILS

**INSTALLATION
INSTRUCTIONS**



METAL BUMPER RAILS

**INSTALLATION
INSTRUCTIONS**

SECTION 1: UNPACKING

- 1.1. Carefully un-crate the bumper rail components, making sure that none of the components are damaged.
- 1.2. Check the colours, features, and dimensions of the components against your order before you begin installing the bumper rail finishes.
- 1.3. If you have ordered a full cab, the mounting holes for the handrails or bumper rails will be pre-drilled into the panels.
- 1.4. If metal bumper rails were purchased, follow the instructions in Section 2; for wood bumper rails, skip to section 3 for install instructions.

For technical support on the bumper rail installation, please contact us at:

Elevator Cab Renovations
Office: (613) 745-4870
Toll Free: 1-877-745-4870
ecr@elevatorcabs.ca

Office Hours : 6:30 AM to 3:30 PM Eastern Standard Time

SECTION 2: INSTALL METAL BUMPER RAILS

- 2.1. Begin by first determining the height to the top of the bumper rail from the finished floor; this dimension will be given on the shop drawings (if applicable).
- 2.2. Bumper rails are generally centered on their corresponding wall; measure and mark the location of each standoff.

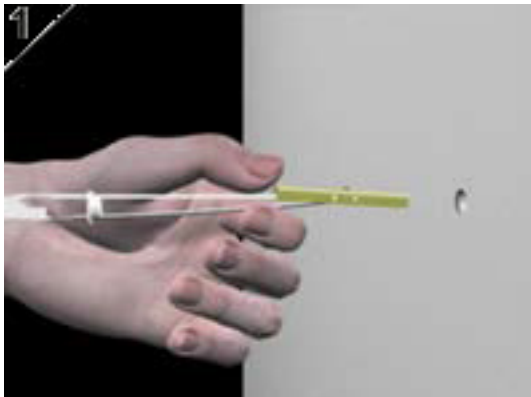


Note: Before drilling, hold the bumper rail in position to ensure the mounting holes align properly. Verify there are no obstructions attached to the shell before drilling.

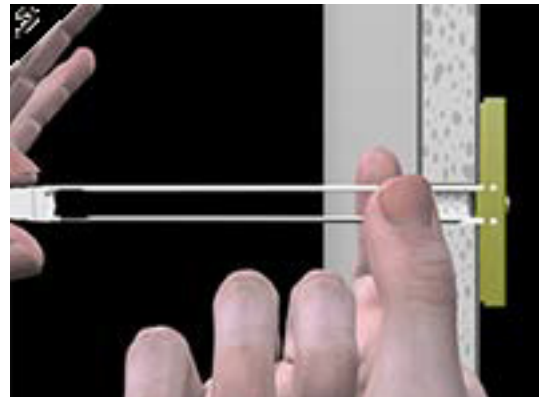
SECTION 2: INSTALL METAL BUMPER RAILS (CONTINUED)

- 2.3. Drill 1/2" holes into the cab shell as marked on the previous step.
- 2.4. Insert and secure the provided togglers through the finishes and the shell (see notes below 'Installing the Togglers').
- 2.5. Place the flared end of a stainless steel standoff against the handrail panel, centered on the toggler. Fasten this to the wall and handrail panel with the 1/4"-20 bolts provided.
- 2.6. Slide the inserts into the standoff (inserts are attached to the handrail).
- 2.7. Secure the bumper rail to the standoff using the set screws provided (Dia. 1).

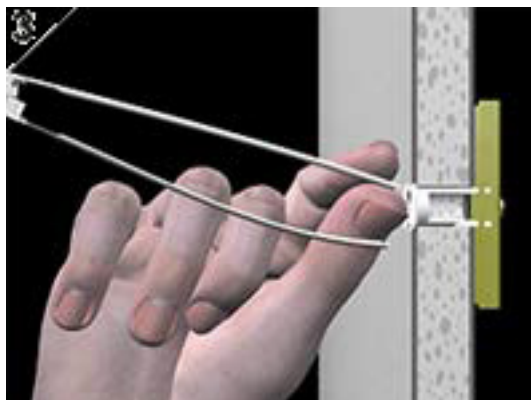
Installing the Togglers



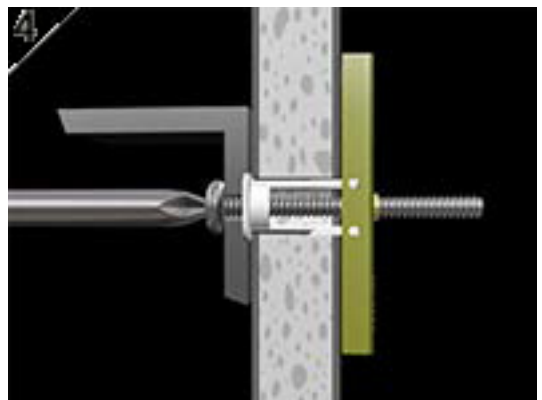
Drill a 1/2" hole. Hold the metal channel flat alongside plastic straps and slide channel through the metal channel through the hole. The minimum clearance behind the wall is 1 7/8".



Hold the ends of straps between thumb and forefinger and pull toward you until channel rests flush behind wall. Slide plastic cap along straps with other hand until flange of cap is flush with the wall.

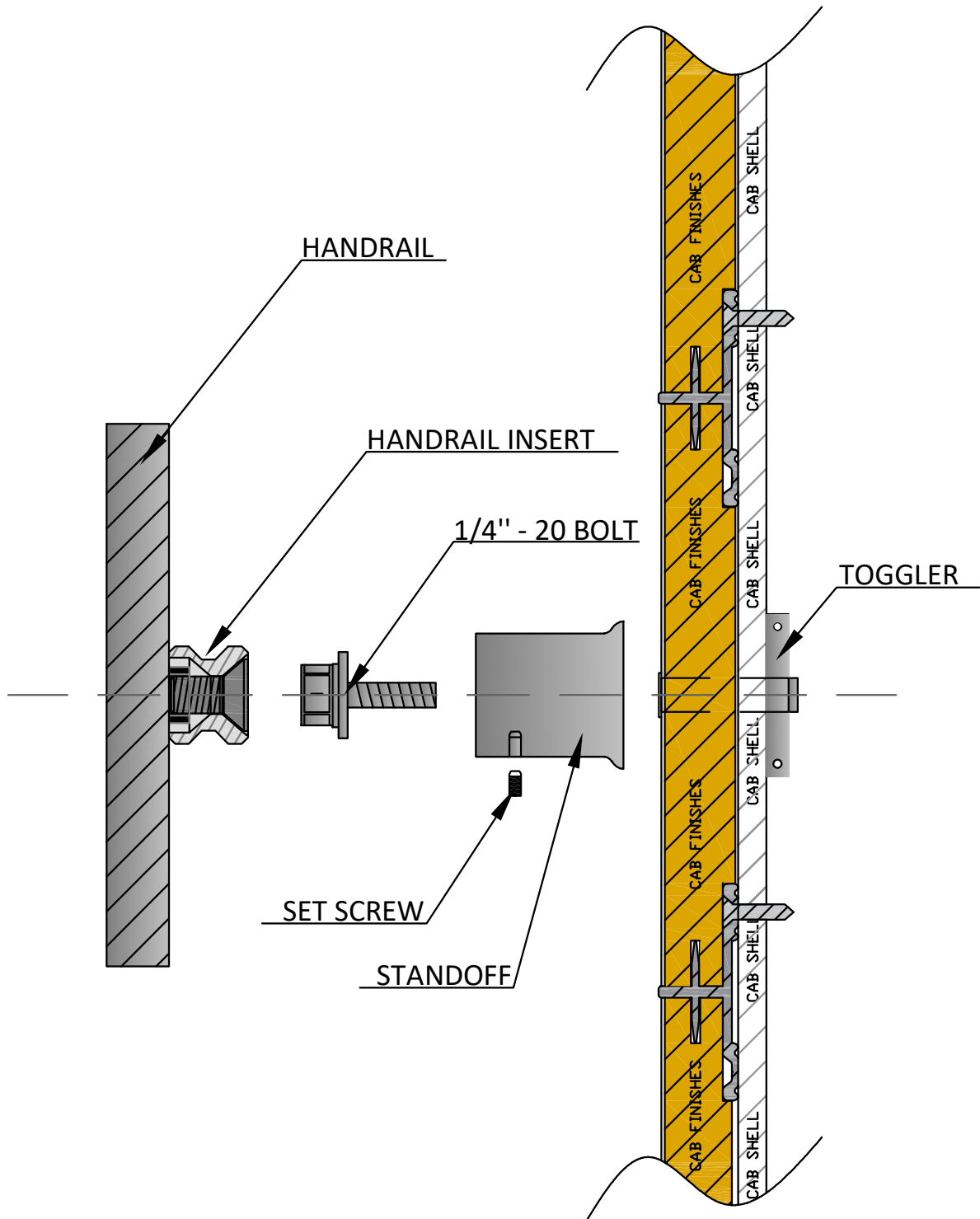


Snap straps at wall by pushing side to side snapping off straps level with flange cap.



Place item over flange. Insert bolt through item and tighten until flush against item.

SECTION 2: INSTALL METAL BUMPER RAILS (CONTINUED)



Dia. 1
Attaching standoffs to bumper rail.



WOOD BUMPER RAILS

**INSTALLATION
INSTRUCTIONS**

SECTION 1: UNPACKING

- 1.1. Carefully un-crate the bumper rail components, making sure that none of the components are damaged.
- 1.2. Check the colours, features, and dimensions of the components against your order before you begin installing the bumper rail finishes.
- 1.3. If you have ordered a full cab, the mounting holes for the handrails or bumper rails will be pre-drilled into the panels.
- 1.4. If metal bumper rails were purchased, follow the instructions in Section 2; for wood bumper rails, skip to section 3 for install instructions.

For technical support on the bumper rail installation, please contact us at:

Elevator Cab Renovations
Office: (613) 745-4870
Toll Free: 1-877-745-4870
ecr@elevatorcabs.ca

Office Hours : 6:30 AM to 3:30 PM Eastern Standard Time

SECTION 2: INSTALL WOOD BUMPER RAILS

- 2.1. Begin by first determining the height to the top of the bumper rail from the finished floor; this dimension will be given on the shop drawings (if applicable).
- 2.2. Bumper rails are generally centered on their corresponding wall; measure and mark the location of each standoff.

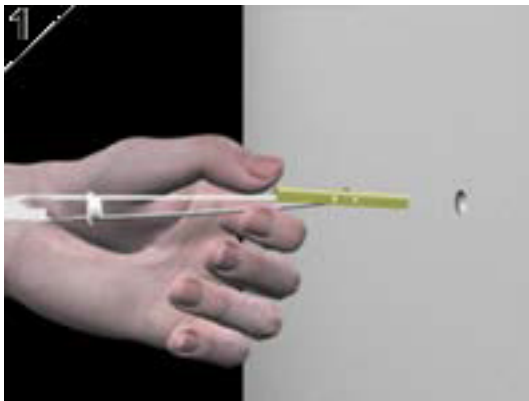


Note: Before drilling, hold the bumper rail in position to ensure the mounting holes align properly. Verify there are no obstructions attached to the shell before drilling.

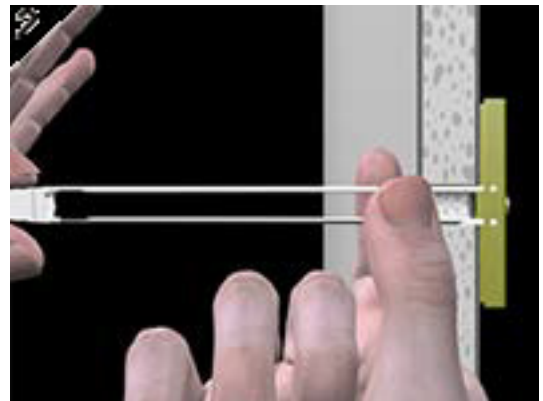
SECTION 2: INSTALL WOOD BUMPER RAILS

- 2.3. Determine the height to the top of the bumper rail based off site conditions; this dimension will be given on the shop drawings (if applicable).
- 2.4. Wood bumper rails are generally centered on their corresponding wall and are usually mounted directly to the shell or wall panels (no standoffs).
- 2.5. The wooden bumper rails will come pre drilled and counter sunk to accommodate 1/4-20 hex head bolts, lock washers and flat washers.
- 2.6. Use the wooden bumper rail as a template to mark the mounting holes. Drill 1/2" holes into the cab shell as marked on the previous step. Once the holes are in place, insert the togglers into position.

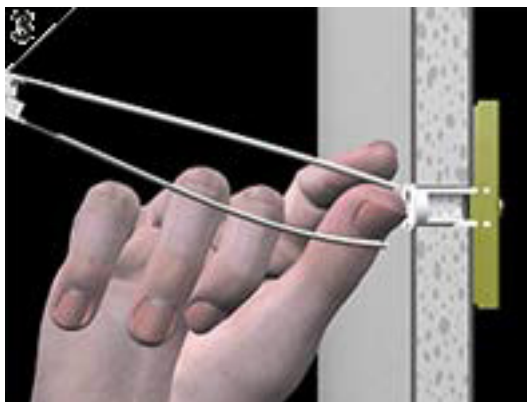
Installing the Togglers



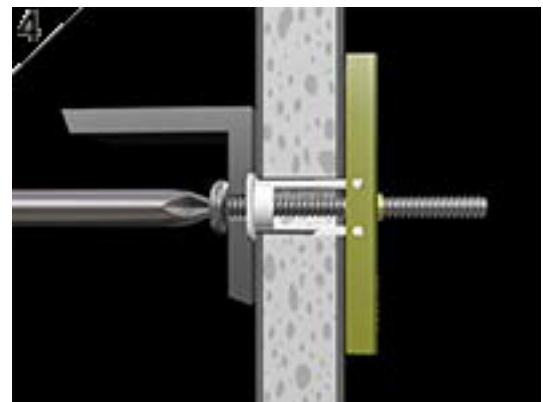
1 Drill a 1/2" hole. Hold the metal channel flat alongside plastic straps and slide channel through the metal channel through the hole. The minimum clearance behind the wall is 1 7/8".



2 Hold the ends of straps between thumb and forefinger and pull toward you until channel rests flush behind wall. Slide plastic cap along straps with other hand until flange of cap is flush with the wall.



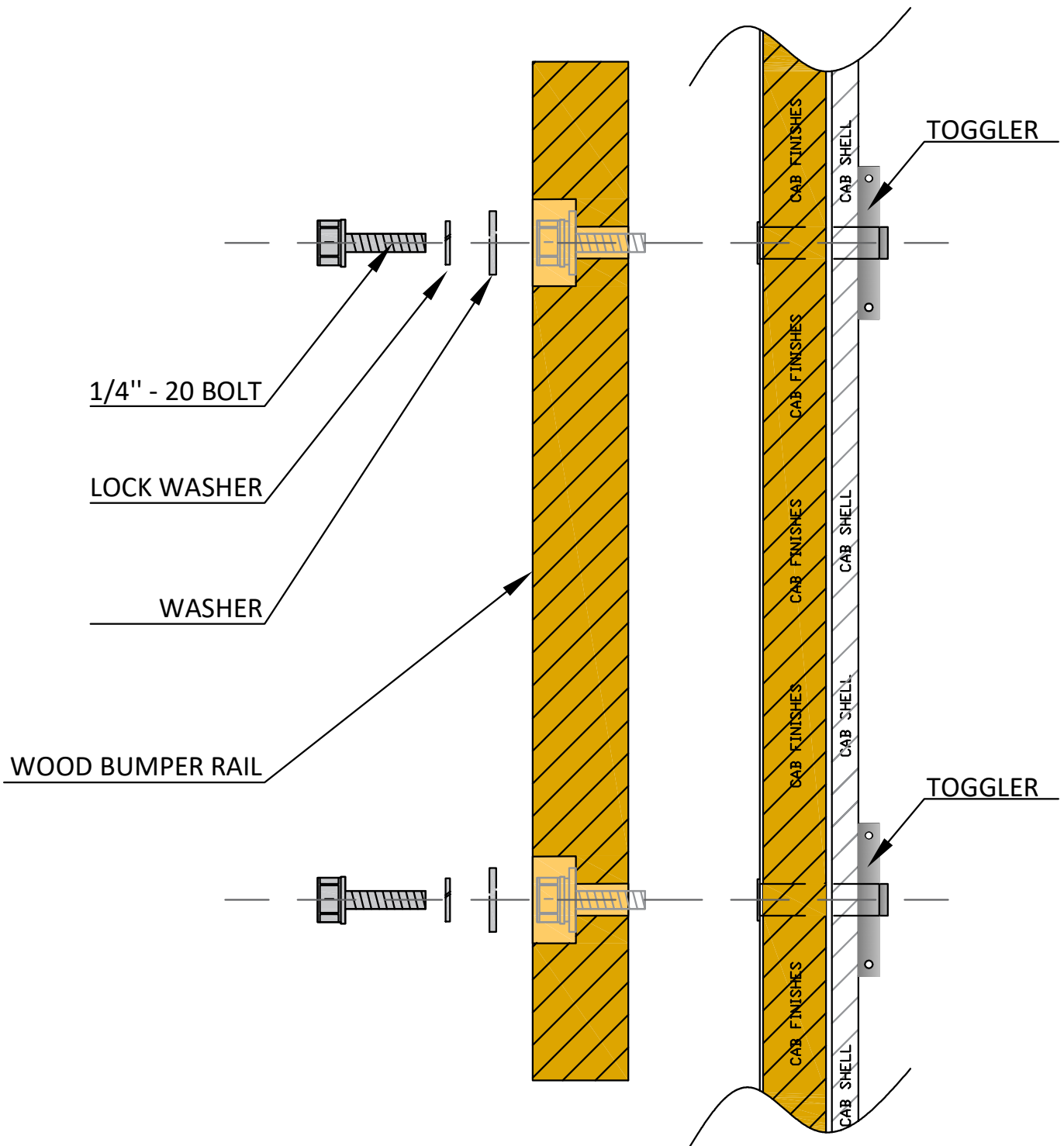
3 Snap straps at wall by pushing side to side snapping off straps level with flange cap.



4 Place item over flange. Insert bolt through item and tighten until flush against item.

SECTION 2: INSTALL WOOD BUMPER RAILS

2.7. Fasten the wood bumper rail into location (Dia. 1).



Dia. 1

Attaching bumper rail to wall.